



Vertical and horizontal freezers LEOPARD



Epta S.p.A. participates in the ECC programme for:
 Refrigerated display cabinets (RDC); Check ongoing validity
 of certificate online: www.eurovent-certification.com
 or using: www.certiflash.com

Product categories



Technical features



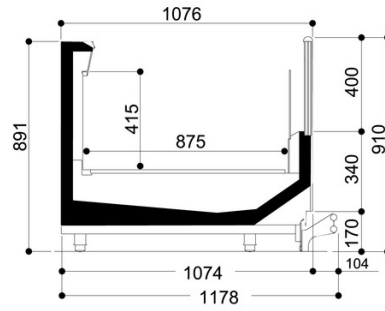
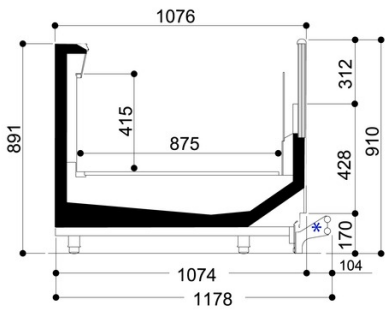


LEOPARD						
Length mm		1880	2500	3750	2240	2450
LEOPARD	LG300	•	•	•	•	•
	HG400	•	•	•	•	•
Display area m2	LG300	1.90	2.50	3.80	2.40	2.60
	HG400	2.10	2.80	4.20		
Loading area m2	LG300	2.00	2.70	4.00	2.30	2.30
	HG400					
Net storage capacity dm3	LG300	682.00	908.00	1362.00	715.00	715.00
	HG400					
End thickness mm	Panoramic	70 (+ 104)				
	Blind	51 (+ 104)				

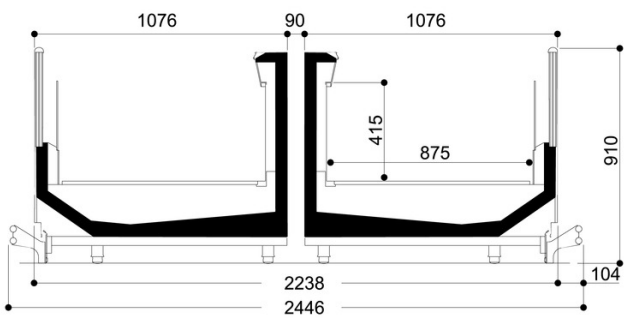


LG300

HG400



LEOPARD BACK TO BACK





Legend

 Meat	 Chicken	 Fish	 Pre-packed fish
 Delicatessen	 Cheese	 Dairy products	 Gastronomy
 Pastries	 Pre-packed fruit and vegetables	 Fruits and Vegetables	 Sandwiches
 Drinks	 Pizza	 Bread	 Frozen food and ice cream
 Off-cycle defrost	 Electric defrost	 Hot-gas defrosting system	 Manual defrost
 Ventilated	 Static	 Incorporated condensing unit	 Remote condensing unit
 Bagnomaria	 Ceramic glass	 Ice	 VSD Inverter technology
 LED lighting	 Zero C doors	 High efficiency fans	 R290 Propane refrigerant gas (R290)
 R134a R-134a - 400V/3PH/50Hz	 R404A R404A - 400V/3PH/50Hz	 R744 R744 - 400V/PH/50Hz	 Compressor hermetic reciprocating
 Hermetic scroll compressor	 Semi-hermetic reciprocating compressor	 VSD Inverter technology	 External installation
 Machinery room	 Soundproof housing	 On board condenser	 Remote condenser
 DUAL Medium & Low temperature			